

# Remote reading thermometer with aluminium case

## Model : T212

Spec. sheet no. TD02-02

### Service intended

This thermometer is used for measuring temperature of corrosive and non-corrosive fluid in all industries. It operates in aggressive and non-aggressive environment. Linear dials and temperature compensate line assure an accurate temperature indication at varying ambient conditions.



### Nominal diameter

75, 100 and 150 mm

### Accuracy

±2.0 % of full scale

### Measuring system (SAMA class IIIB)

Organic gas : 0 ~ 200 °C

Inert gas : -200 ~ 700 °C

### Working range

Maximum scale value



## Standard features

### Location of stem and mounting

Bottom connection, surface, case mounting  
Lower back connection, flush, case lower mounting  
Lower back connection, flush, case center mounting

### Case

Black finished aluminium

### Cover

Black finished aluminium

### Capillary

Capillary : 1.6/0.2 mm, 316SS

Armored tube : 7.5/5.5 mm, 304SS

### Window

Tempered safety glass

### Dial

White aluminium with black graduation

### Pointer

Black painted aluminium alloy

### Stem

8.0, 10.0 and 12.0 mm

316SS and 316L SS

### Zero adjustment

Internal

### Stem, process connection

3/8", 1/2", 3/4" PT, NPT and PF

### Option

±1.0 % of full scale

**WISE**<sup>®</sup>

I T212\_01

## Main order

## Ordering information

### 1. Base model

**T212** Remote reading thermometer with aluminium case

### 2. Nominal diameter (mm)

- 3 75
- 4 100
- 6 150

### 3. Type of mounting

- B** Bottom connection, surface, case mounting plate, not available with diameter 75 mm
- K** Lower back connection, flush, case mounting plate, only available with diameter 100 mm
- L** Lower back connection, flush, case center mounting plate, not available with diameter 150 mm

### 4. Stem material

- 1 316SS
- 2 316L SS

### 5. Stem, process connection

- A** None
- D** 3/8"
- E** 1/2"
- F** 3/4"

### 6. Stem connection type (CF: Compression fitting)

- A** None
- E** CF + PT
- F** CF + NPT
- G** CF + PF
- H** MT + PT (Movable thread)
- I** MT + NPT (Movable thread)
- J** MT + PF (Movable thread)

### 7. Stem outer diameter (mm)

- 2 8.0
- 3 10.0
- 4 12.0
- Z Other

### 8. Range

**XXX** Refer to scale range table

### 9. Capillary length (m)

- P** 2
- Q** 3
- S** 5
- V** 8
- X** 10
- Z** Other

### 10. Accessories

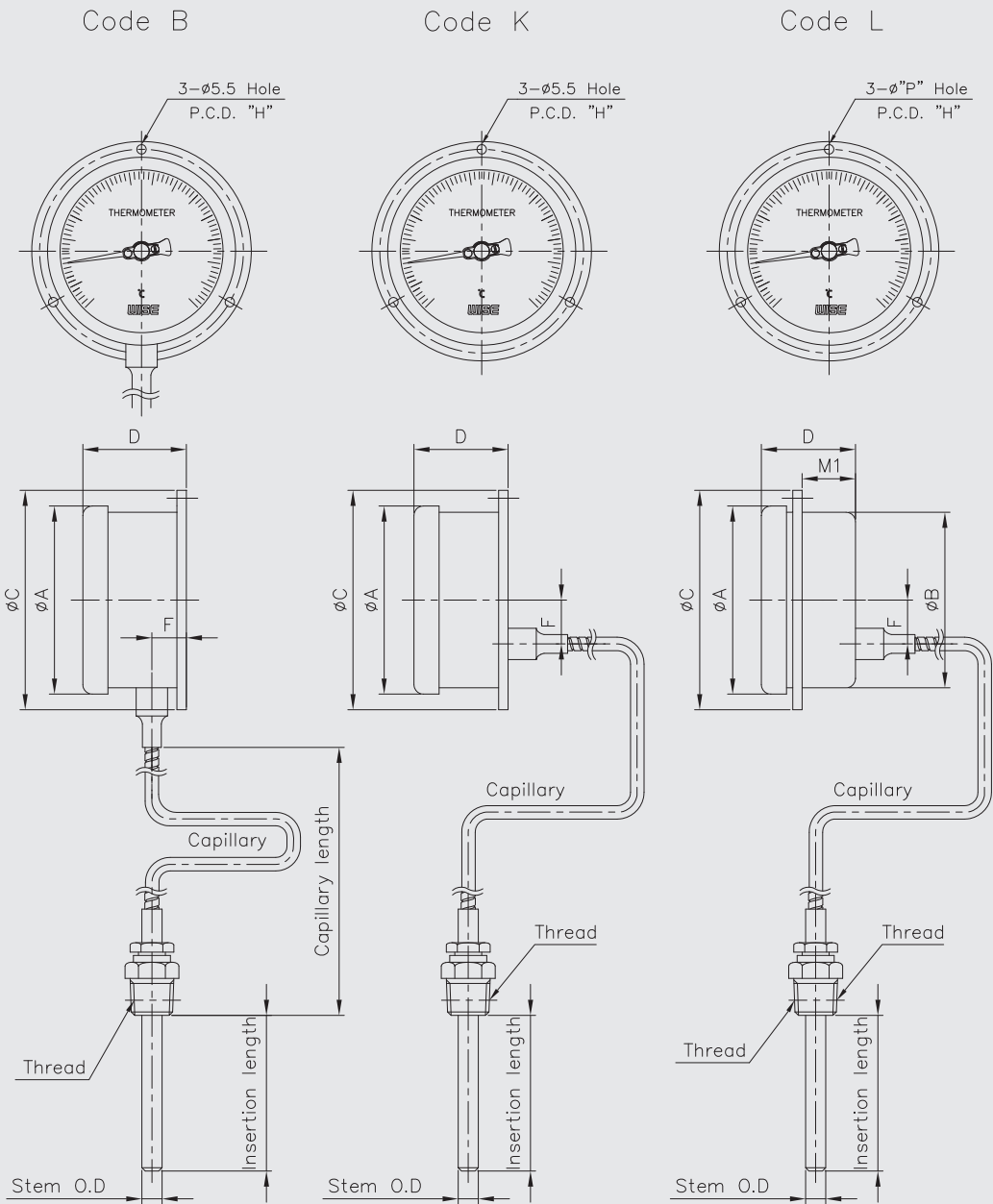
- 0** None
- 1** Thermowell
- S** Special accuracy ( $\pm 1.0\%$  of full scale)
- T** Thermowell and special accuracy

1	2	3	4	5	6	7	8	9	10	Sample ordering code
<b>T212</b>	<b>4</b>	<b>B</b>	<b>1</b>	<b>E</b>	<b>C</b>	<b>3</b>	<b>XXX</b>	<b>P</b>	<b>1</b>	



© WISE Control Inc. All rights reserved. ALL PRODUCT, PRODUCT SPECIFICATIONS AND DATA ARE SUBJECT TO CHANGE WITHOUT NOTICE TO IMPROVE RELIABILITY, FUNCTION OR DESIGN OR OTHERWISE.

## T212 : Type of mounting



Dimensions (mm)

Dial Size	Available code	A	B	C	D±2	F±1	H	M1	P
75	L	85	80	105	46	25	95	24.5	4.5
	B	110		128	52	20.5	115		
100	K	110		128	52	25	115		
	L	110	105	135	46.5	25	122	25.5	5.5
150	B	172		185	64	19.5	174		

## Scale ranges

Code	Scale range (°C)	Scale spacing(°C)	Minimum stem length (mm)			Standard stem length (mm)		
			8.0	10.0	12.0	8.0	10.0	12.0
031	-200 ~ 100	5	100	85	65	200	130	100
032	-50 ~ 50	2	100	85	65	200	130	100
037	-50 ~ 100	2	100	88	65	200	130	100
054	-30 ~ 50	2	100	85	65	200	130	100
059	-30 ~ 100	2	100	85	65	200	130	100
061	-30 ~ 120	2	100	85	65	200	130	100
069	-20 ~ 50	2	100	85	65	200	130	100
074	-20 ~ 100	2	100	85	65	200	130	100
079	-20 ~ 150	5	100	85	65	200	130	100
084	-10 ~ 50	1	100	85	65	200	130	100
099	0 ~ 50	1	100	85	65	200	130	100
100	0 ~ 60	1	100	85	65	200	130	100
101	0 ~ 70	2	100	85	65	200	130	100
102	0 ~ 80	2	100	85	65	200	130	100
104	0 ~ 100	2	100	85	65	200	130	100
106	0 ~ 120	2	100	85	65	200	130	100
109	0 ~ 150	2	100	85	65	200	130	100
114	0 ~ 200	5	100	85	65	200	130	100
119	0 ~ 250	5	100	85	65	200	130	100
124	0 ~ 300	5	100	85	65	200	130	100
129	0 ~ 350	5	100	85	65	200	130	100
134	0 ~ 400	10	100	85	65	200	130	100
144	0 ~ 500	10	100	85	65	200	130	100
154	0 ~ 600	10	100	85	65	200	130	100
164	0 ~ 700	10	100	85	65	200	130	100

\* 0 ~ 700 °C/Special range

\* -200 ~ 100 °C/Special range

## Insertion length

Code	1	2	3	4	5	6	7	8	9	A	B	C
Length (mm)	50	60	70	80	100	120	130	150	175	200	225	250

Code	D	E	F	G	H	J	K	L	M	N	P
Length (mm)	275	300	350	375	400	450	500	550	1,000	1,500	2,000